

# ECOUSTIC® BANNER BAFFLE



unika vaev

Hear yourself think®

# ECOUSTIC® BAFFLE COLOR

## .47" Options



Almond



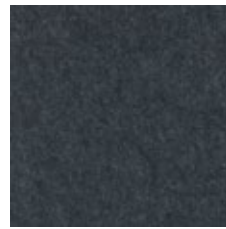
Arizona



Bluebell



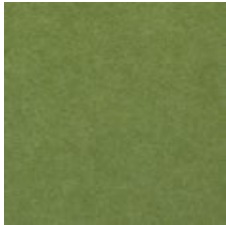
Cool



Galaxy



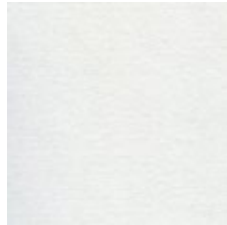
Iris



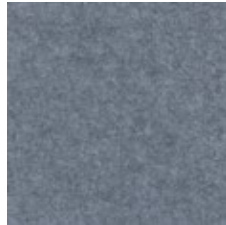
Leaf



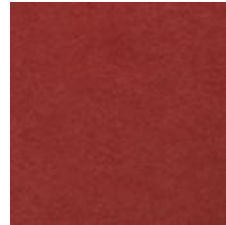
Oxide



Snowdrop

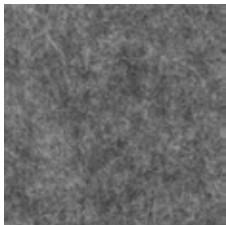


Tungsten

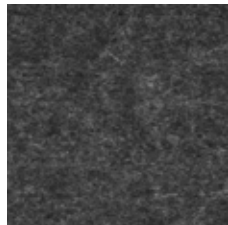


Venus

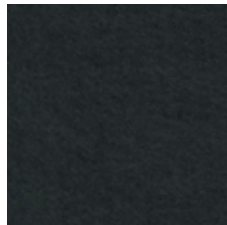
## .94" Options



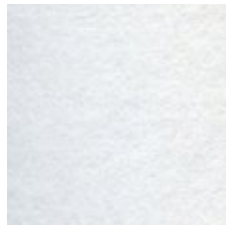
Ash



Graphite



Nero



Pure



Stone

Product may vary in color due to the nature of the media  
Please refer to website for current color range

**ecoustic**® global leaders  
by INSTYLE in acoustic  
products

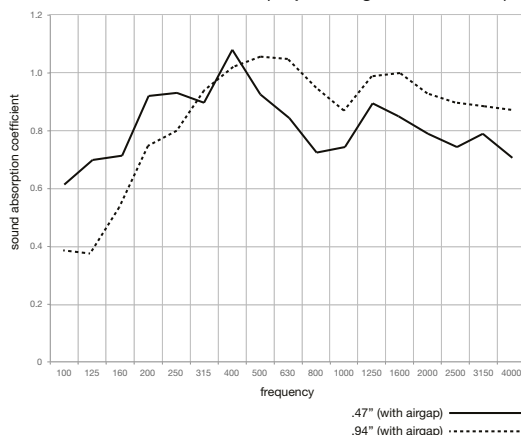
# ECOUSTIC® BANNER BAFFLE



<b>CONTENT</b>	100% PET
<b>THICKNESS</b>	.47" (12mm) or .94" (24mm)
<b>DIMENSIONS</b>	106" x 5.9" (2700mm x 150mm)
<b>FLAMMABILITY</b>	
ASTM E84	.47" class A, .94" class C
AS/ISO 9705	Group 1
AS/NZS 1530.3	
GB 8624	

**APPLICATION** Ceiling

**ACOUSTIC** NRC .85 - .95 (depending on thickness)



**DESCRIPTION** ecoustic® Baffles are a modular panel and support system designed for vertical, horizontal, and angular suspension. Available in a variety of colors, dimensions, and design options, ecoustic® baffles provide design flexibility in acoustic performance and aesthetics.

## BENEFITS

**Ideal for Large Spaces + Limited Wall Space:** ecoustic® Baffle is a versatile acoustic ceiling system and an ideal choice for use in spaces that are large and have limited wall space in new and existing fitouts.

**Design Flexibility:** ecoustic® Baffle can be customized to any architectural context or select from our range of designs. ecoustic® Baffle is made from ecoustic® SC .47" + .94" with a uniform exposed edge, offering flexibility in acoustic performance and aesthetics. Each thickness has a variety of colors to choose from.

**Superior Acoustic Performance:** With the ability to absorb sound on all sides, ecoustic® Baffle achieves superior acoustic performance, particularly baffles made from SC .94".

**Easy to Install + Proprietary Suspension System:** ecoustic® Baffle is a complete system and the lightweight acoustic panels are simple to install. Instyle has a range of proprietary cable suspension systems supplied with natural or black anodised aluminium extrusions. Alternative extrusion fixings to support the baffles can be sourced.

**Moisture Absorption:** After four days at 122°F, 95% RH the moisture absorbency of SC .47" and SC .94" was less than 0.3% and 2.9% by weight respectively. As ecoustic® Baffle is made from 100% polyester, it will not degrade over time due to moisture, mildew or rot in office environments.

**Toxicity:** Polyester is non-toxic and is classed the same as wood under the State of New York Article 15 Part 1120. ecoustic® Baffle does not contain any Red List Chemicals (USA EPA).

**Safety:** Unika Vaev recommends compliance with National Construction Codes and Building Safety Standards. Certification by a qualified practicing structural engineer, such as a Structural Safety Certificate should be confirmed for all overhead installations including baffles.

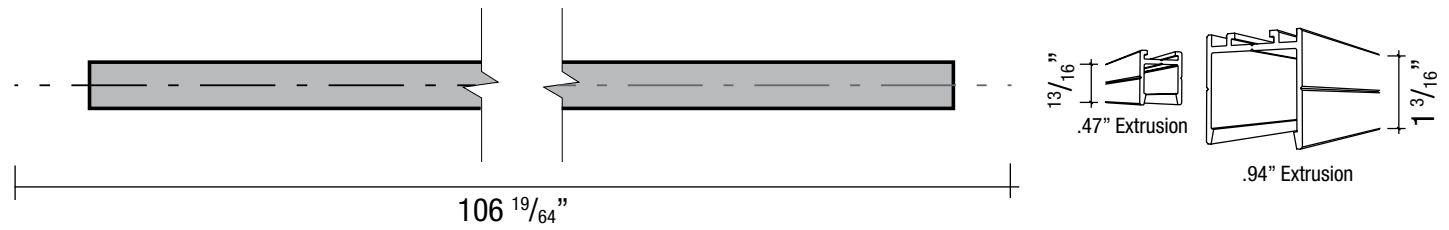
Product may vary in color due to the nature of the media  
Please refer to website for current color range

**ecoustic®** global leaders  
by INSTYLE in acoustic  
products

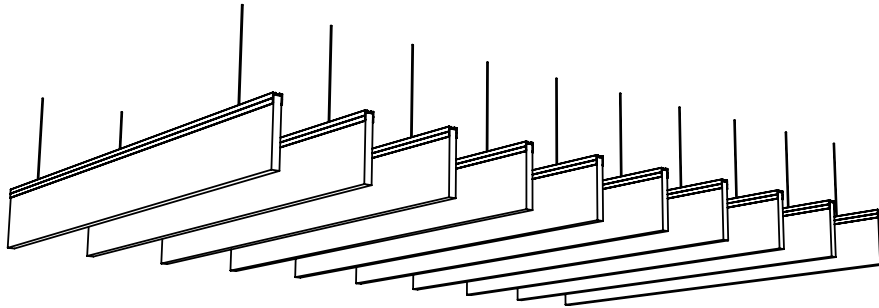
# BAFFLE CABLE SUSPENSION SYSTEMS

## Baffle Support Extrusions

ecoustic® baffles can be supported by Unika Vaev baffle extrusions. Unika Vaev baffle extrusions are available in either natural anodized aluminum, or black powder coat finish, supplied in 106 19/64" lengths. Baffle support extrusions can be secured to ecoustic® Baffles via several fixing options. Please refer to the Baffle installation guide on unikavaev.com



## VERTICAL CABLE SUSPENSION



### HARDWARE OPTIONS

#### Baffle Screw

Cable screw secured into baffle

#### How to specify:

ecoustic® Vertical Cable Installation - Screw Fix Set  
(2 per Baffle)

OR

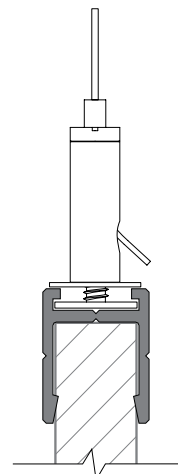
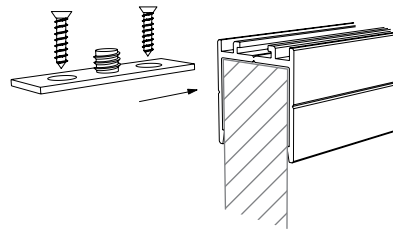
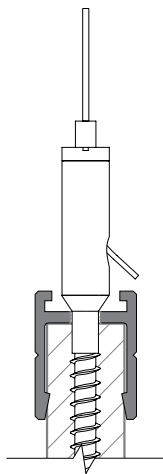
### HARDWARE OPTIONS

#### Sliding Cable Mount Via Extrusion

For all both baffle thicknesses

#### How to specify:

ecoustic® Vertical Cable Installation - Mount Plate Set  
(2 per Baffle)

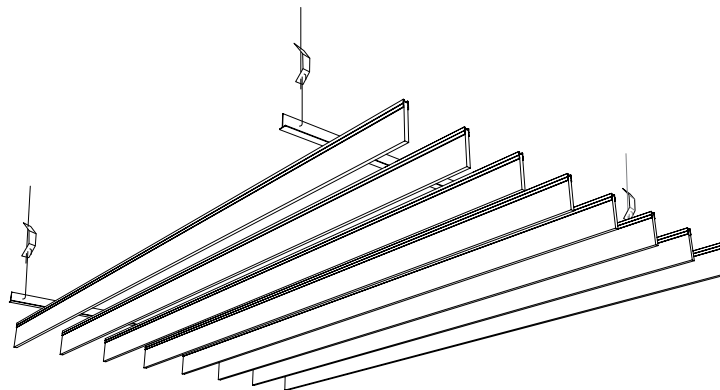


Items shown are not to scale  
Max weight rating per baffle extrusion not to exceed 44 lbs

**ecoustic®** global leaders  
by INSTYLE in acoustic  
products

# BAFFLE CABLE SUSPENSION SYSTEMS

## SUSPENDED 'TEE' BAR



### HARDWARE OPTIONS

#### Sliding Mount Plates

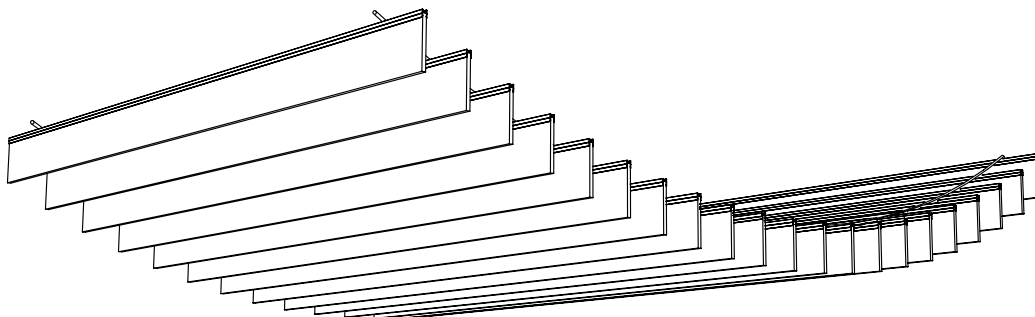
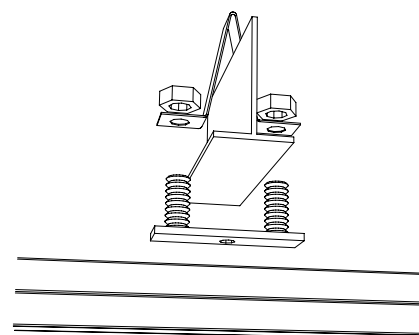
For both baffle thicknesses

Sliding mount plates secured to extrusions and baffles are secured to Tee bars or similar via dedicated strap, used in suspended ceiling grid systems.

\*Tee bar to be supplied by others to suit site requirements

#### How to specify:

ecoustic® T-Bar Installation Set  
(2 per Baffle)



### HARDWARE OPTIONS

#### Flex Plate Set

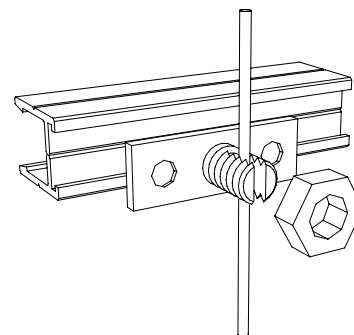
For both baffle thicknesses

Sliding mount plates secured to extrusions and baffles are then secured to horizontal or vertical cables via dedicated slotted bolt together with washer and nut.

\*Cable not included and to be supplied by others to suit site requirements

#### How to specify:

ecoustic® Slung Cable Installation Set  
(2 per Baffle)

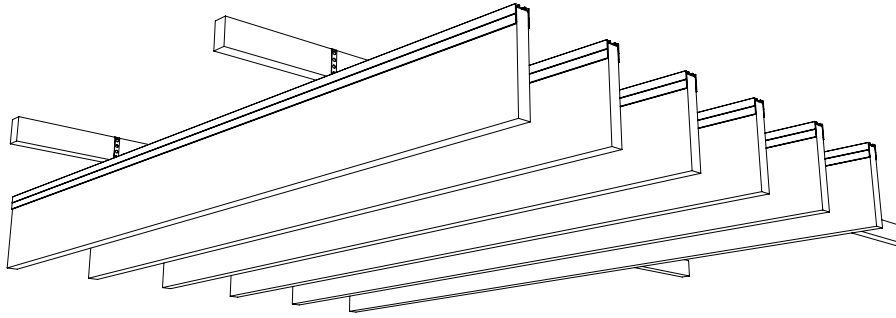


Items shown are not to scale  
Max weight rating per baffle extrusion not to exceed 44 lbs

**ecoustic**® global leaders  
by INSTYLE in acoustic  
products

# BAFFLE CABLE SUSPENSION SYSTEMS

## CEILING COLLAR STRAP



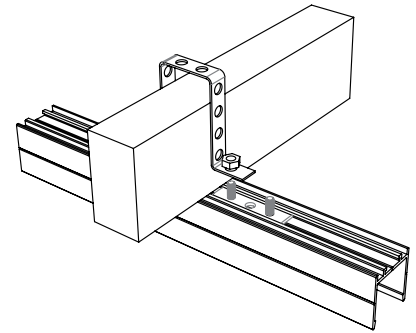
### HARDWARE OPTIONS

#### Sliding Mount Plates

For both baffle thicknesses

Sliding mount plates secured to extrusions and baffles are secured to structural supports or similar via dedicated collar strap.

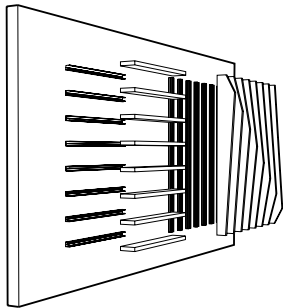
\*Collar strap can also be purchased externally at most hardware stores. The strap is trimmed to meet requirements of site.



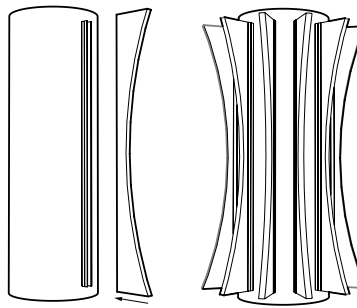
#### How to specify:

ecoustic® Ceiling Collar Strap Installation Set  
(4 Mount Plates per Baffle)

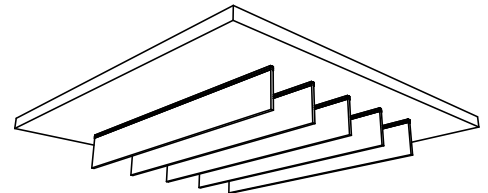
## DIRECT FIX



Wall Installation



Column Installation



Soffit Installation

### HARDWARE OPTIONS

#### Sliding Mount Plates

For both baffle thicknesses

Extrusion is secured to vertical or horizontal surface on site, via the central drilling groove within baffle extrusion. Baffles are then inserted into secured extrusions.

#### How to specify:

ecoustic® Baffle Extrusion Direct Fix On Site

Mechanical fasteners to suit site structure

\*Mechanical fasteners not included and to be supplied by others

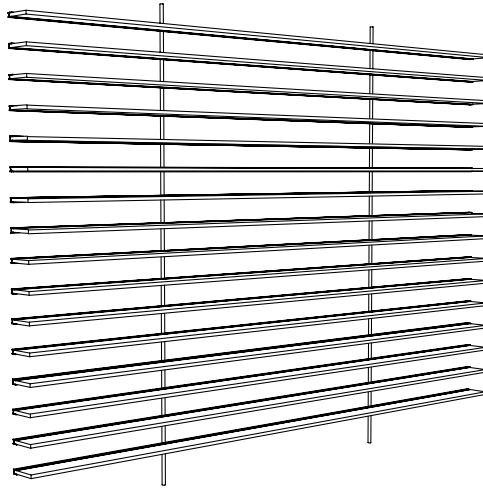
Items shown are not to scale

Max weight rating per baffle extrusion not to exceed 44 lbs

**ecoustic**® global leaders  
by INSTYLE in acoustic  
products

# BAFFLE CABLE SUSPENSION SYSTEMS

## METAL ROD SUSPENSION - VERTICAL/HORIZONTAL



### HARDWARE OPTIONS

#### Metal Rods

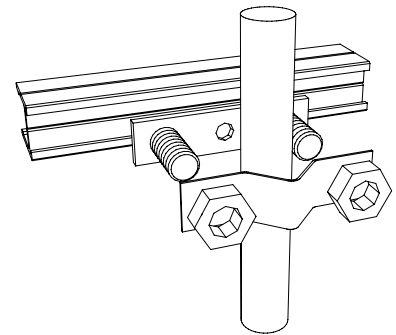
For both baffle thicknesses

Sliding mount plates secured to extrusions and baffles are secured to metal rods via dedicated strap. Maximum diameter .47", refer structural engineer specifications regarding maximum span of solid rod specified.

\*Metal rods and supports supplied by others to suit site requirements

#### How to specify:

ecoustic® Rod Installation Set  
(2 per Baffle)



Items shown are not to scale  
Max weight rating per baffle extrusion not to exceed 44 lbs