



## BuzziShade

BuzziSpace | Stal Collectief | 2013

Modern and inviting, BuzziShade is expertly designed to support conversations by keeping overall noise levels to a minimum. BuzziShade is covered in a wide range of felt or fabrics and finished with a column of contrasting cross-stitching. In two sizes, BuzziShade bridges the gap between furniture and architecture in open office floor plans and social spaces.

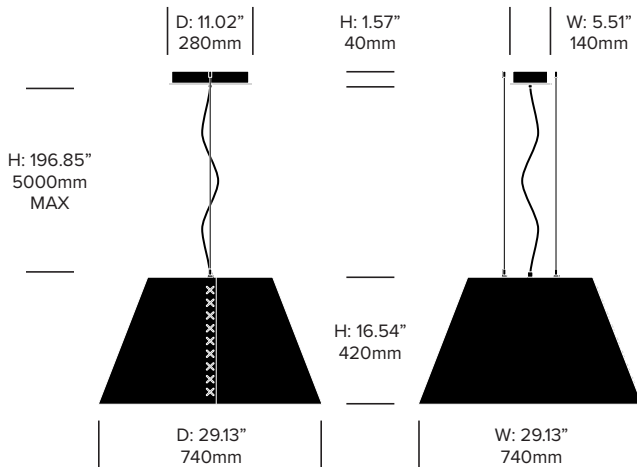
HAWORTH® Collection

# BuzziShade

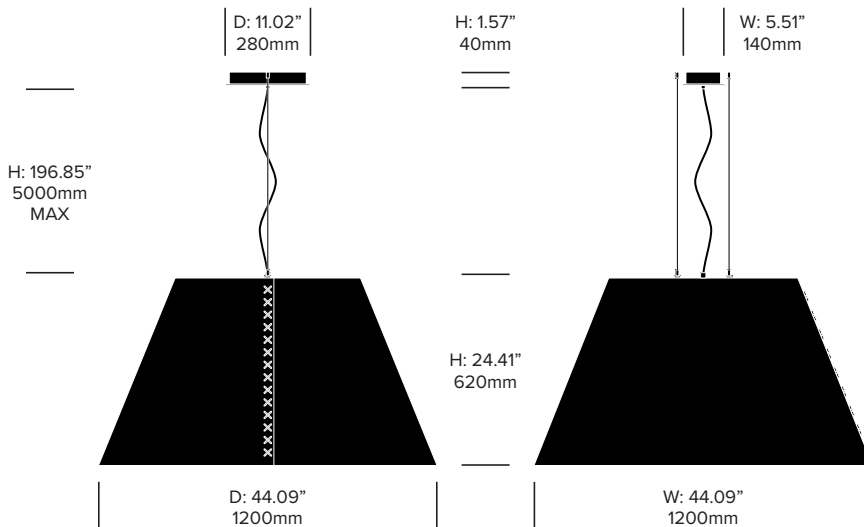
BuzziSpace | Stal Collectief | 2013 | Imported from the Netherlands



## Medium Pendant



## Large Pendant



## UPHOLSTERY AND FINISHES

For a complete list of upholstery options, please refer to [surfaces.haworth.com](http://surfaces.haworth.com).

### Frame Trim

Black (BTR-90005)  
 Fluorescent Orange (BTR-20005)  
 Uncoated Aluminum (BTR-UNA)  
 White (BTR-9010)

### Lace

Black (BTL-1)  
 Fluorescent Orange (BTL-4)  
 White (BTL-3)

### Cable Trim

Alu (BTR-90006)  
 Black (BTR-90005)

## FEATURES AND SPECIFICATIONS

Voltage:	120V 50/60Hz
Power consumption:	19 watts
Color temperature:	3000K
Luminosity:	1500 lumens
Luminaire efficacy:	79 lumens/watt
Color rendition index:	90 CRI
Rated lifespan:	50,000 hours

All BuzziShade lighting is UL and CE certified.



## ACOUSTICS

### Acoustic Principles



Absorption

### Acoustic Performance



Mid Tones



High Tones