



## Belmont

Pablo Designs | Brad Ascalon | 2018

Belmont's iconic, yet reductive form re-envisioned traditional lighting, creating a natural canvas for an exquisite array of shade textiles. Solid oak details evoke the preciousness of handcrafted furniture, while the fully dimmable LED casts both direct and indirect light for any mood. Suspend Belmont individually or in dynamic combinations to bring comfortable warmth and sophistication to any lobby, lounge, or café setting.

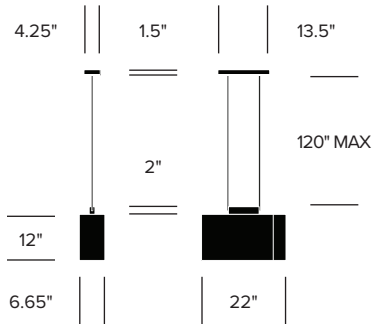
HAWORTH® Collection

# Belmont

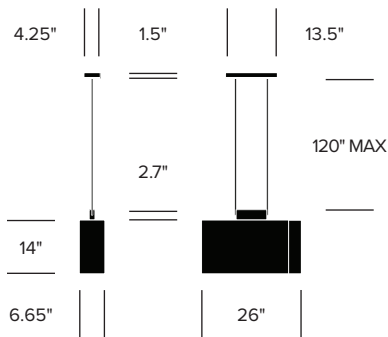
Pablo Designs | Brad Ascalon | 2018 | Imported from China

Pablo®

## Small Pendant Light



## Large Pendant Light



## SURFACES

### Shade Fabric

Celeste (SD-1)  
Charcoal (SD-2)  
Dijon (SD-3)  
Silverdale (SD-4)

### Wood

Oak (PX-1)

## FEATURES AND SPECIFICATIONS

Voltage:	120V or 277V 50/60Hz
Power consumption:	30 watts
Color temperature:	2700K
Luminosity:	1200 lumens
Luminaire efficacy:	40 lumens/watt
Color rendition index:	95 CRI
Rated lifespan:	50,00 hours
Bulb type:	high output LED array
Cord length:	10 feet (field cuttable)

All Belmont lighting is ETL and CE certified.

